



MASTER LEDspot LV

MASTER LED SPOT VLE D 7-50W MR16 827 36D

Delivering a warm, halogen-like accent beam, MASTER LEDspot LV is an ideal retrofit solution for spot and general lighting applications in the hospitality industry. It is particularly suited to public areas such as receptions, lobbies, corridors, stairwells and washrooms, where the light is on all the time. The robustly designed MASTER LEDspot offers a choice of beam angles for a clearly defined beam spread. There is no UV or IR in the beam, making it suitable for illuminating heat-sensitive objects (food, organic materials, paintings, etc.). The patented intelligent driver enables broad compatibility with existing electromagnetic and electronic halogen transformers. The dimmable versions drive further efficiencies, while helping to create the desired atmosphere.

Warnings and Safety

- Operating temperature range is between -20° C and 45° C ambient
- Only to apply in dry or damp locations and most of open fixtures with lamp-holders that offer sufficient space (10 mm free air space)
- Not intended for use with emergency light fixtures or exit lights

Product data

General Information		Operating and Electrical	
Cap base	GU5.3 [GU5.3]	Luminous intensity (nom.)	1500 cd
EU RoHS compliant	Yes	Colour Designation	Warm white (WW)
Nominal lifetime (nom.)	25000 h	Colour Temperature, horizontal (Nom)	2700 K
Switching cycle	50,000X	Lamp Luminous Efficacy EM (Nom)	88.00 lm/W
Technical type	7-50W	Colour consistency	<6
		Colour Rendering Index,horiz (Nom)	80
		LLMF at end of nominal lifetime (nom.)	70 %
		Luminous flux in 90° cone (rated)	621 lm
Light Technical			
Colour Code	827 [CCT of 2,700 K]	Input frequency	- Hz
Technical Beam Angle (Nom)	36 °		
Lamp Luminous Flux 25°C EL (Nom)	621 lm		

MASTER LEDspot LV

Power (Rated) (Nom)	7 W
Lamp current (nom.)	770 mA
Wattage equivalent	50 W
Starting time (nom.)	0.5 s
Warm-up time to 60% light (nom.)	0.5 s
Power factor (nom.)	0.8
Voltage (Nom)	12 V

Temperature

T-Case maximum (nom.)	85 °C
-----------------------	-------

Controls and Dimming

Dimmable	Yes
----------	-----

Approval and Application

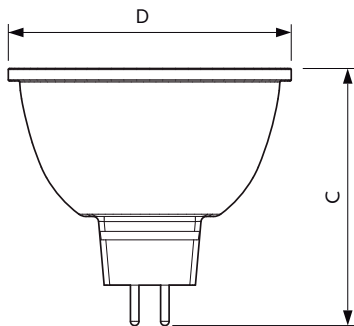
Energy efficiency label (EEL)	A+
-------------------------------	----

Suitable for accent lighting	Yes
Energy consumption kWh/1,000 hours	8 kWh

Product Data

Full product code	871869681554000
Order product name	MASTER LED SPOT VLE D 7-50W MR16 827 36D
EAN/UPC – product	8718696815540
Order code	929001903402
Numerator – quantity per pack	1
Numerator – packs per outer box	10
SAP material	929001903402
SAP net weight (piece)	0.034 kg

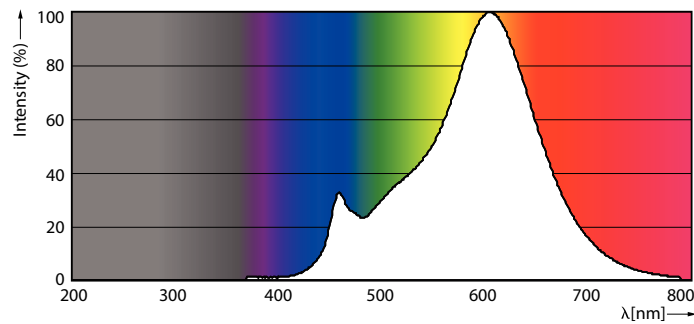
Dimensional drawing



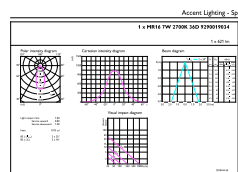
MR16 12V 7W-50W 621lm 36D 2700K GU5.3 D

Product	D	C
MASTER LED SPOT VLE D 7-50W MR16 827 36D	50.5 mm	45 mm

Photometric data



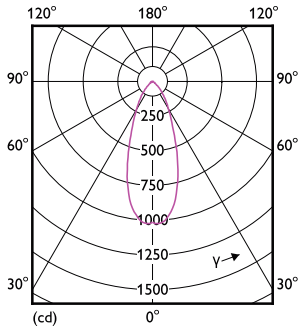
LEDspot MAS VLE 7-50W GU5.3 MR16 827 36D DIM



LEDspot MAS VLE 7-50W GU5.3 MR16 827 36D DIM

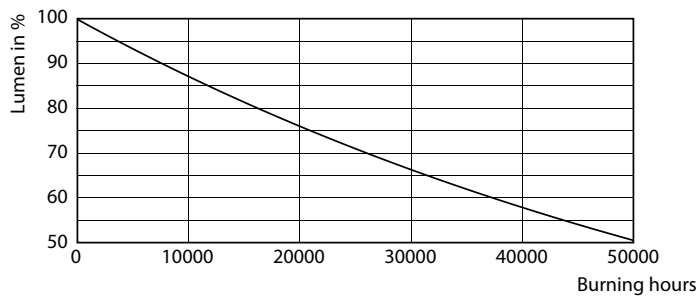
MASTER LEDspot LV

Photometric data

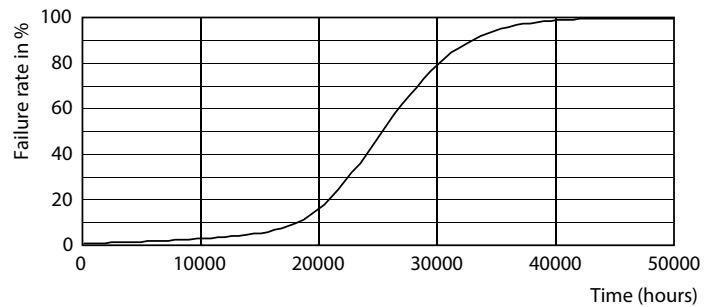


LEDspot MAS VLE 7-50W GU5.3 MR16 827 36D DIM

Lifetime



LEDspot MAS VLE 7-50W GU5.3 MR16 830 36D DIM



LEDspot MAS VLE 7-50W GU5.3 MR16 830 36D DIM

