



# MASTER LEDspot LV

## MASTER LED spot VLE D 5.5-35W MR16 827 60D

Delivering a warm, halogen-like accent beam, MASTER LEDspot LV is an ideal retrofit solution for spot and general lighting applications in the hospitality industry. It is particularly suited to public areas such as receptions, lobbies, corridors, stairwells and washrooms, where the light is on all the time. The robustly designed MASTER LEDspot offers a choice of beam angles for a clearly defined beam spread. There is no UV or IR in the beam, making it suitable for illuminating heat-sensitive objects (food, organic materials, paintings, etc.). The patented intelligent driver enables broad compatibility with existing electromagnetic and electronic halogen transformers. The dimmable versions drive further efficiencies, while helping to create the desired atmosphere.

### Warnings and Safety

- Operating temperature range is between -20° C and 45° C ambient
- Only to apply in dry or damp locations and most of open fixtures with lamp-holders that offer sufficient space (10 mm free air space)
- Not intended for use with emergency light fixtures or exit lights

### Product data

General Information	
Cap base	GU5.3 [ GU5.3]
EU RoHS compliant	Yes
Nominal lifetime (nom.)	25000 h
Switching cycle	50,000X
Technical type	5.5-35W
Light Technical	
Colour Code	827 [ CCT of 2,700 K]
Technical Beam Angle (Nom)	60 °
Lamp Luminous Flux 25°C EL (Nom)	450 lm

Luminous intensity (nom.)	500 cd
Colour Designation	Warm white (WW)
Colour Temperature, horizontal (Nom)	2700 K
Lamp Luminous Efficacy EM (Nom)	81.82 lm/W
Colour consistency	<6
Colour Rendering Index,horiz (Nom)	80
LLMF at end of nominal lifetime (nom.)	70 %
Luminous flux in 90° cone (rated)	450 lm
Operating and Electrical	
Input frequency	- Hz

# MASTER LEDspot LV

Power (Rated) (Nom)	5,5 W
Lamp current (nom.)	630 mA
Wattage equivalent	35 W
Starting time (nom.)	0,5 s
Warm-up time to 60% light (nom.)	0,5 s
Power factor (nom.)	0,8
Voltage (Nom)	ac Electronic 12 V

## Temperature

T-Case maximum (nom.)	95 °C
-----------------------	-------

## Controls and Dimming

Dimmable	Yes
----------	-----

## Approval and Application

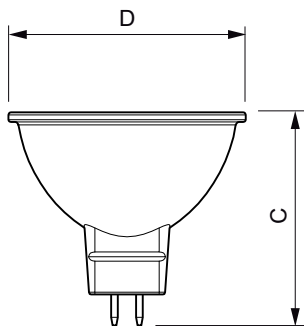
Energy efficiency label (EEL)	A+
-------------------------------	----

Suitable for accent lighting	Yes
Energy consumption kWh/1,000 hours	7 kWh

## Product Data

Full product code	871869670829300
Order product name	MASTER LED spot VLE D 5.5-35W MR16 827 60D
EAN/UPC – product	8718696708293
Order code	929001326202
Numerator – quantity per pack	1
Numerator – packs per outer box	10
SAP material	929001326202
SAP net weight (piece)	0.045 kg

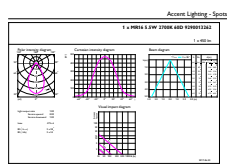
## Dimensional drawing



MR16 12V 5W-35W 380lm 60D 2700K GU5.3 D

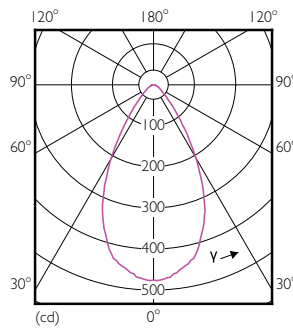
Product	D	C
MASTER LED spot VLE D 5.5-35W MR16 827 60D	50.5 mm	45 mm

## Photometric data



Manufacturer: Philips Lighting B.V. Page 11

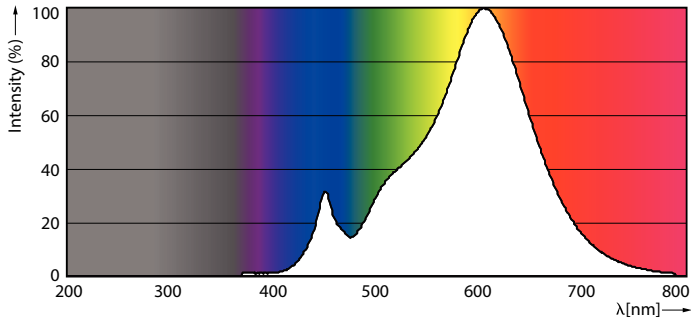
MAS VLE LEDspotLV 35W GU5-3 827 60D MR16



MAS VLE LEDspotLV 35W GU5-3 827 60D MR16

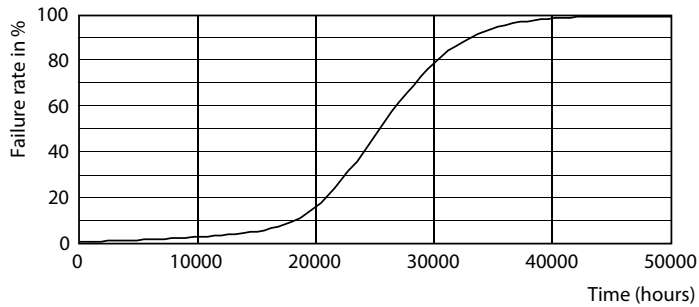
# MASTER LEDspot LV

## Photometric data

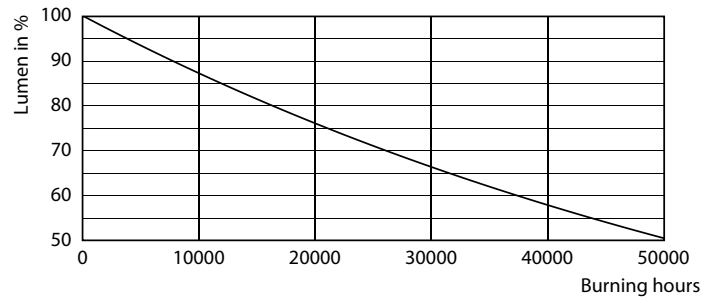


MAS VLE LEDspotLV 35W GU5-3 827 36D MR16

## Lifetime



MAS VLE LEDspotLV 35W GU5-3 827 36D MR16



MAS VLE LEDspotLV 35W GU5-3 827 36D MR16

