



PAR38

PAR38 120W E27/51 220-240V PAR38 30D 1CT

Pressed-glass 121 mm diameter reflector lamps of high luminous intensity

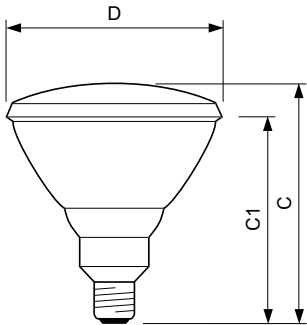
Product data

General Information	
Cap base	E27/51 [E27/51]
Burning Position	UNIVERSAL [Any/Universal]
Nominal lifetime (nom.)	2000 h
Light Technical	
Technical Beam Angle (Nom)	30 °
Lamp Luminous Flux 25°C EL (Nom)	1150 lm
Luminous intensity (max.)	3100 cd
Beam description	Flood [Flood]
Rated beam angle	30 °
Colour Rendering Index,horiz (Nom)	100
Operating and Electrical	
Power (Rated) (Nom)	120 W
Starting time (nom.)	0.0 s
Voltage (Nom)	220-240 V
Mechanical and Housing	
Eccentricity (max.)	1.0 mm

Skewness (max.)	2.5 mm
Luminaire Design Requirements	
Cap-base temperature (max.)	150 °C
Product Data	
Full product code	871016317087901
Order product name	PAR38 120W E27/51 220-240V PAR38 30D 1CT
EAN/UPC – product	8710163170879
Order code	923815643301
SAP numerator – quantity per pack	1
Numerator – packs per outer box	12
Material no. (12 NC)	923815643301
SAP net weight (piece)	308.000 g
ILCOS code	IPAR-120-220/240-E27/51-121/12

PAR38

Dimensional drawing



Product	D	C (max)	C1
PAR38 120W E27/51 220-240V PAR38 30D 1CT	121 mm	137 mm	123 mm

PAR38 120W E27/51 220-240V PAR38 FL 30D

Photometric data

