



Tango G3 - BVP38x

BVP383 LED281/WW 230W 220-240V SMB GC

The energy-saving Philips Tango G3 LED Floodlight is the ideal solution for a wide range of Area lighting applications. It incorporates the LED light source, optical system, heat sink and driver into one compact and robust housing that meets globally recognised safety standards. Its specially designed heat sink incorporates aesthetics and functionality to ensure excellent reliability. Powered by LED technology, this luminaire delivers superior performance and a longer lifetime, bringing area lighting to a whole new level.

Product data

General Information	
Lamp colour code	730 warm white
Driver included	Yes
Optical cover/lens type	PC-MLO [Polycarbonate micro lens optic]
Control interface	-
Connection	Flying leads/wires
Cable	Cable 0.5 m without plug
Protection class IEC	Safety class I (I)
CE mark	-
Operating and Electrical	
Input Voltage	220 to 240 V
Input frequency	50 or 60 Hz
Power factor (min.)	0.9
Controls and Dimming	
Dimmable	No
Mechanical and Housing	
Housing material	Aluminum die-cast

Optical cover/lens material	Polycarbonate
Colour	Aluminium and Grey
Approval and Application	
Ingress protection code	IP66 [Dust penetration-protected, jet-proof]
Mech. impact protection code	IK08 [5 J vandal-protected]
Initial Performance (IEC Compliant)	
Initial luminous flux	28100 lm
Luminous flux tolerance	+/-10%
Initial LED luminaire efficacy	123 lm/W
Lamp colour temperature	3000 K
Colour Rendering Index	>70
Initial input power	230 W
Power consumption tolerance	+/-10%
Application Conditions	
Ambient temperature range	-40 to +50 °C

Tango G3 - BVP38x

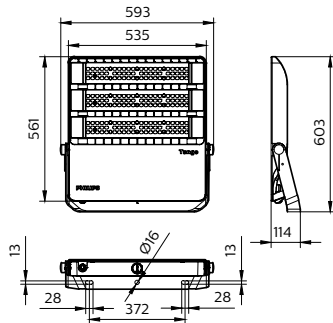
Product Data

Full product code	911401699705
Order product name	BVP383 LED281/WW 230W 220-240V SMB GC
Order code	911401699705
SAP numerator – quantity per pack	1
Numerator – packs per outer box	1

Material no. (12 NC)	911401699705
Net Weight (Piece)	12.499 kg



Dimensional drawing



BVP38x Tango G3

