



StreetStar BRP210

BRP210 LED21/WW 18W 220-240V DW3 MP1

The Philips StreetStar LED luminaire brings visually arresting brilliance and safety to local road and residential lighting projects. An optimized, long-lasting, and reliable solution that meets maximized operations and maintenance savings, this luminaire is the perfect synergy of performance, features, and value that will light up your way. StreetStar is designed to perfectly fit one-to-one retrofit projects while catering to all lighting requirements. It provides crisp, brilliant light that surpasses existing HID and fluorescent luminaire performance while offering a long lifespan of up to 50,000 hours. Backed by the Philips reliability promise, StreetStar ensures mechanical strength and excellent thermal performance, providing continuous operation and unparalleled safety and protection. StreetStar is the perfect cost-effective solution for any city, municipality, and utility lighting projects that need optimum quality, performance, and low maintenance.

Product data

General Information	
Lamp colour code	730 warm white
Light source replaceable	No
Driver included	Yes
Optical cover/lens type	PC-MLO [Polycarbonate micro lens optic]
Control interface	-
Connection	CU3 [Connection unit 3-pole]
Cable	Cable 450 mm without plug
Protection class IEC	Safety class I (I)
CE mark	CE mark
Optic type outdoor	Medium beam
Constant light output	No
Light source engine type	LED

Light Technical	
Standard tilt angle side entry	5°
Operating and Electrical	
Input Voltage	220-240 V
Input frequency	50 or 60 Hz
Power factor (min.)	0.95
Controls and Dimming	
Dimmable	No
Mechanical and Housing	
Housing material	Aluminum die-cast
Optic material	Polycarbonate
Optical cover/lens material	Polycarbonate

StreetStar BRP210

Mounting device	48/60S [Side-entry for diameter 48-60 mm]
Optical cover/lens shape	Ball, globular
Overall length	347 mm
Overall width	159 mm
Overall height	57 mm
Colour	Grey

Approval and Application

Ingress protection code	IP66 [Dust penetration-protected, jet-proof]
Mech. impact protection code	IK08 [5 J vandal-protected]

Initial Performance (IEC Compliant)

Initial luminous flux	2100 lm
Luminous flux tolerance	+/-5%
Initial LED luminaire efficacy	116.67 lm/W
Lamp colour temperature	3000 K
Colour Rendering Index	>70
Initial chromaticity	(0.433, 0.401) SDCM>5

Initial input power	18 W
Power consumption tolerance	+/-5%

Application Conditions

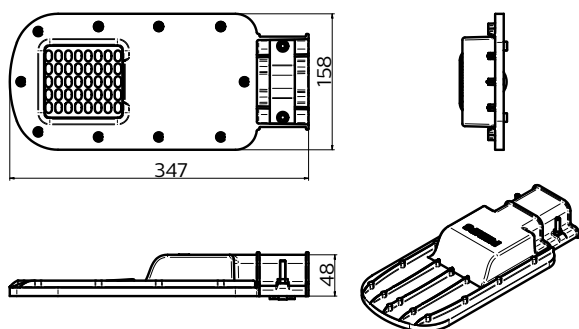
Ambient temperature range	-40 to +50 °C
---------------------------	---------------

Product Data

Full product code	911401692802
Order product name	BRP210 LED21/WW 18W 220-240V DW3 MP1
Order code	911401692802
SAP numerator – quantity per pack	1
Numerator – packs per outer box	1
SAP material	911401692802
SAP net weight (piece)	1.099 kg



Dimensional drawing



StreetStar BRP210/BRP215

