



Tango G3 - BVP38x

BVP383 LED324/WW 320W 220-240V SWB

The energy-saving Philips Tango G3 LED Floodlight is the ideal solution for a wide range of Area lighting applications. It incorporates the LED light source, optical system, heat sink and driver into one compact and robust housing that meets globally recognised safety standards. Its specially designed heat sink incorporates aesthetics and functionality to ensure excellent reliability. Powered by LED technology, this luminaire delivers superior performance and a longer lifetime, bringing area lighting to a whole new level.

Product data

General Information		Power factor (min.)	
Lamp colour code	Warm white	0.95	
Light source replaceable	Yes	Controls and Dimming	
Driver/power unit/transformer	PSU [Power supply unit]	Dimmable	No
Driver included	Yes	Mechanical and Housing	
Optical cover/lens type	PC-MLO [Polycarbonate micro lens optic]	Housing material	Aluminum die-cast
Luminaire light beam spread	30° x 80°	Optic material	Polycarbonate
Control interface	-	Optical cover/lens material	Polycarbonate
Connection	Flying leads/wires	Fixation material	Steel
Cable	Cable 0.5 m without plug	Mounting device	MBA [Mounting bracket adjustable]
Protection class IEC	Safety class I (I)	Optical cover/lens finish	Frosted
CE mark	-	Overall length	591 mm
Warranty period	3 years	Overall width	114 mm
Optic type outdoor	Symmetrical wide beam	Overall height	603 mm
LED engine type	LED	Effective projected area	0.29 m ²
Operating and Electrical		Colour	Aluminium and Grey
Input Voltage	220-240 V	Approval and Application	
Input frequency	50 or 60 Hz	Ingress protection code	IP66 [Dust penetration-protected, jet-proof]

Tango G3 - BVP38x

Mech. impact protection code	IK08 [5 J vandal-protected]
Surge protection (common/differential)	Surge protection level until 10 kV

Initial Performance (IEC Compliant)

Initial luminous flux	32400 lm
Luminous flux tolerance	+/-10%
Initial LED luminaire efficacy	100 lm/W
Lamp colour temperature	3000 K
Colour Rendering Index	70
Initial chromaticity	SDCM<=7
Initial input power	320 W
Power consumption tolerance	+/-10%

Application Conditions

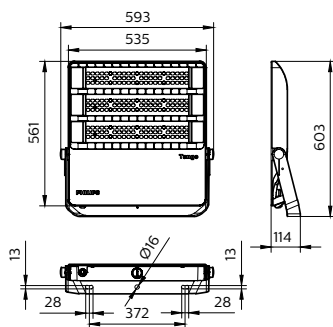
Ambient temperature range	-40 to +50 °C
---------------------------	---------------

Product Data

Full product code	911401684103
Order product name	BVP383 LED324/WW 320W 220-240V SWB
Order code	911401684103
SAP numerator – quantity per pack	1
Numerator – packs per outer box	1
Material no. (12 NC)	911401684103
SAP net weight (piece)	12.499 kg



Dimensional drawing



BVP38x Tango G3

