



SportsStar- BVP621/BVP622/ EVP622

BVP621 LED960/NW 960W 220-240V SP O

Philips SportsStar LED Floodlight sets the standard in high quality optical distribution with high performance and low light pollution (or effective light control). From Sports to Area Lighting, our system, including the high masts needed, projects the light exactly where it should be going. Choose the right illumination levels for any given setting with Philips SportsStar LED Floodlight.

Product data

General Information		LED engine type	
Lamp colour code	Neutral white	LED engine type	LED
Light source replaceable	Yes	Operating and Electrical	
Number of gear units	1 unit	Input Voltage	220 to 240 V
Driver/power unit/transformer	PSU [Power supply unit]	Input frequency	50 or 60 Hz
Driver included	Yes	Power factor (min.)	0.95
Optical cover/lens type	PC-MLO [Polycarbonate micro lens optic]	Controls and Dimming	
Luminaire light beam spread	13°	Dimmable	No
Control interface	-	Mechanical and Housing	
Connection	Flying leads/wires	Housing material	Aluminum extruded
Cable	Cable 1.5 m without plug (CIK5)	Optic material	Polycarbonate
Protection class IEC	Safety class I (I)	Optical cover/lens material	Polycarbonate
CE mark	-	Fixation material	Steel
Warranty period	3 years	Mounting device	MBA [Mounting bracket adjustable]
Optic type outdoor	Narrow beam	Optical cover/lens finish	Frosted
Constant light output	No		

SportsStar-BVP621/BVP622/EVP622

Overall length	680 mm
Overall width	740 mm
Overall height	307 mm
Effective projected area	0.42 m ²
Colour	White

Approval and Application

Ingress protection code	IP66 [Dust penetration-protected, jet-proof]
Mech. impact protection code	IK08 [5 J vandal-protected]
Surge protection (common/differential)	Surge protection level until 10 kV

Initial Performance (IEC Compliant)

Initial luminous flux	96000 lm
Luminous flux tolerance	+/-10%
Initial LED luminaire efficacy	100 lm/W
Lamp colour temperature	4000 K
Colour Rendering Index	70
Initial chromaticity	SDCM<=7

Initial input power	960 W
Power consumption tolerance	+/-10%

Application Conditions

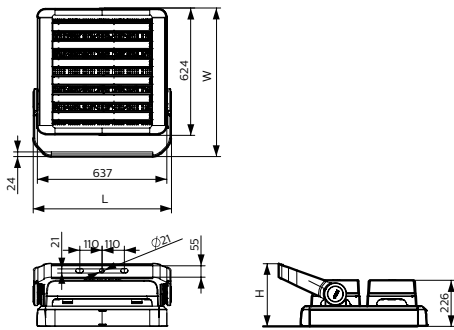
Ambient temperature range	-40 to +45 °C
---------------------------	---------------

Product Data

Full product code	911401650604
Order product name	BVP621 LED960/NW 960W 220-240V SP O
Order code	911401650604
Numerator – quantity per pack	1
SAP numerator – packs per outer box	1
Material no. (12 NC)	911401650604
SAP net weight (piece)	27.999 kg



Dimensional drawing



BVP621/BVP622/EVP622 SportsStar

