



Tango G3 - BVP38x

BVP382 LED195/NW 150W 220-240V SMB

The energy-saving Philips Tango G3 LED Floodlight is the ideal solution for a wide range of Area lighting applications. It incorporates the LED light source, optical system, heat sink and driver into one compact and robust housing that meets globally recognised safety standards. Its specially designed heat sink incorporates aesthetics and functionality to ensure excellent reliability. Powered by LED technology, this luminaire delivers superior performance and a longer lifetime, bringing area lighting to a whole new level.

Product data

| General Information | | Light Technical | |
|-------------------------------|--|---|-------------|
| Lamp family code | - | Constant light output | No |
| Lamp colour code | Neutral white | Number of products on MCB (16 A type B) | - |
| Light source replaceable | Yes | EU RoHS compliant | No |
| Number of gear units | - | LED engine type | LED |
| Driver/power unit/transformer | PSU [Power supply unit] | Serviceability class | - |
| Driver included | Yes | Operating and Electrical | |
| Optical cover/lens type | PC-MLO [Polycarbonate micro lens optic] | Input Voltage | 220-240 V |
| Luminaire light beam spread | 50° | Input frequency | 50 or 60 Hz |
| Control interface | - | Initial CLO power consumption | - W |
| Connection | Flying leads/wires | Average CLO power consumption | - W |
| Cable | Cable 0.5 m without plug | End CLO power consumption | - W |
| Protection class IEC | Safety class I (I) | Power factor (min.) | 0.95 |
| Flammability mark | NO [-] | | |
| CE mark | - | | |
| ENEC mark | - | | |
| Warranty period | 3 years | | |
| Optic type outdoor | Symmetrical medium beam | | |

Tango G3 - BVP38x

Controls and Dimming

| | |
|----------|----|
| Dimmable | No |
|----------|----|

Mechanical and Housing

| | |
|-----------------------------|------------------------------------|
| Housing material | Aluminum die-cast |
| Reflector material | - |
| Optic material | Polycarbonate |
| Optical cover/lens material | Polycarbonate |
| Fixation material | Steel |
| Mounting device | MBA [Mounting bracket adjustable] |
| Optical cover/lens shape | - |
| Optical cover/lens finish | Frosted |
| Overall length | 500 mm |
| Overall width | 97 mm |
| Overall height | 498 mm |
| Effective projected area | 0.17 m ² |
| Colour | Aluminium and Grey |

Approval and Application

| | |
|--|---|
| Ingress protection code | IP66 [Dust penetration-protected, jet-proof] |
| Mech. impact protection code | IK08 [5 J vandal-protected] |
| Surge protection (common/differential) | Surge protection level until 10 kV |

Initial Performance (IEC Compliant)

| | |
|-------------------------------------|----------|
| Initial luminous flux (system flux) | 19500 lm |
|-------------------------------------|----------|

| | |
|--------------------------------|----------|
| Luminous flux tolerance | +/-10% |
| Initial LED luminaire efficacy | 130 lm/W |
| Lamp colour temperature | 4000 K |
| Colour Rendering Index | 70 |
| Initial chromaticity | SDCM<=7 |
| Initial input power | 150 W |
| Power consumption tolerance | +/-10% |

Application Conditions

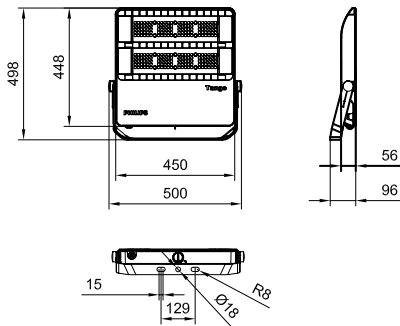
| | |
|---------------------------|----------------|
| Ambient temperature range | -40 to +50 °C |
| Maximum dimming level | Not applicable |

Product Data

| | |
|-----------------------------------|------------------------------------|
| Full product code | 911401615405 |
| Order product name | BVP382 LED195/NW 150W 220-240V SMB |
| Order code | 911401615405 |
| SAP numerator – quantity per pack | 1 |
| Numerator – packs per outer box | 1 |
| Material no. (12 NC) | 911401615405 |
| SAP net weight (piece) | 7.999 kg |



Dimensional drawing



BVP38x Tango G3

Tango G3 - BVP38x

