



# Tango G3 - BVP38x

## BVP382 LED156/NW 120W 220-240V SMB

The energy-saving Philips Tango G3 LED Floodlight is the ideal solution for a wide range of Area lighting applications. It incorporates the LED light source, optical system, heat sink and driver into one compact and robust housing that meets globally recognised safety standards. Its specially designed heat sink incorporates aesthetics and functionality to ensure excellent reliability. Powered by LED technology, this luminaire delivers superior performance and a longer lifetime, bringing area lighting to a whole new level.

### Product data

General Information	
Lamp family code	-
Lamp colour code	Neutral white
Light source replaceable	Yes
Number of gear units	-
Driver/power unit/transformer	PSU [ Power supply unit]
Driver included	Yes
Optical cover/lens type	PC-MLO [ Polycarbonate micro lens optic]
Luminaire light beam spread	50°
Control interface	-
Connection	Flying leads/wires
Cable	Cable 0.5 m without plug
Protection class IEC	Safety class I (I)
Flammability mark	NO [ -]
CE mark	-
ENEC mark	-
Warranty period	3 years
Optic type outdoor	Symmetrical medium beam

Constant light output	No
Number of products on MCB (16 A type B)	-
EU RoHS compliant	No
LED engine type	LED
Serviceability class	-
Light Technical	
Standard tilt angle post-top	-
Standard tilt angle side entry	-
Operating and Electrical	
Input Voltage	220-240 V
Input frequency	50 or 60 Hz
Initial CLO power consumption	- W
Average CLO power consumption	- W
End CLO power consumption	- W
Power factor (min.)	0.95

# Tango G3 - BVP38x

## Controls and Dimming

Dimmable	No
----------	----

## Mechanical and Housing

Housing material	Aluminum die-cast
Reflector material	-
Optic material	Polycarbonate
Optical cover/lens material	Polycarbonate
Fixation material	Steel
Mounting device	MBA [ Mounting bracket adjustable]
Optical cover/lens shape	-
Optical cover/lens finish	Frosted
Overall length	500 mm
Overall width	97 mm
Overall height	498 mm
Effective projected area	0.17 m <sup>2</sup>
Colour	Aluminium and Grey

## Approval and Application

Ingress protection code	IP66 [ Dust penetration-protected, jet-proof]
Mech. impact protection code	IK08 [ 5 J vandal-protected]
Surge protection (common/differential)	Surge protection level until 10 kV

## Initial Performance (IEC Compliant)

Initial luminous flux (system flux)	15600 lm
-------------------------------------	----------

Luminous flux tolerance	+/-10%
Initial LED luminaire efficacy	130 lm/W
Lamp colour temperature	4000 K
Colour Rendering Index	70
Initial chromaticity	SDCM<=7
Initial input power	120 W
Power consumption tolerance	+/-10%

## Application Conditions

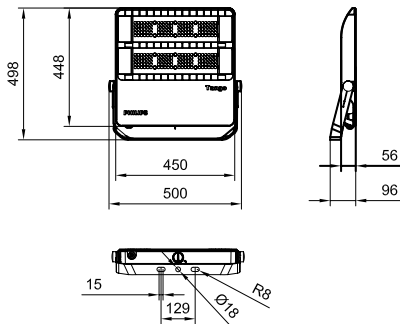
Ambient temperature range	-40 to +50 °C
Maximum dimming level	Not applicable

## Product Data

Full product code	911401614405
Order product name	BVP382 LED156/NW 120W 220-240V SMB
Order code	911401614405
Numerator – quantity per pack	1
SAP numerator – packs per outer box	1
Material no. (12 NC)	911401614405
Net Weight (Piece)	7.999 kg



## Dimensional drawing



BVP38x Tango G3

## Tango G3 - BVP38x

