



Tango G3 - BVP38x

BVP381 LED91/NW 70W 220-240V SWB

-

The energy-saving Philips Tango G3 LED Floodlight is the ideal solution for a wide range of Area lighting applications. It incorporates the LED light source, optical system, heat sink and driver into one compact and robust housing that meets globally recognised safety standards. Its specially designed heat sink incorporates aesthetics and functionality to ensure excellent reliability. Powered by LED technology, this luminaire delivers superior performance and a longer lifetime, bringing area lighting to a whole new level.

Product data

General Information		Constant light output	
Lamp family code	-	Constant light output	No
Lamp colour code	Neutral white	Number of products on MCB (16 A type B)	-
Light source replaceable	Yes	EU RoHS compliant	No
Number of gear units	-	LED engine type	LED
Driver/power unit/transformer	PSU [Power supply unit]	Serviceability class	-
Driver included	Yes	Light Technical	
Optical cover/lens type	PC-MLO [Polycarbonate micro lens optic]	Standard tilt angle post-top	-
Luminaire light beam spread	85° x 85°	Standard tilt angle side entry	-
Control interface	-	Operating and Electrical	
Connection	Flying leads/wires	Input Voltage	220-240 V
Cable	Cable 0.5 m without plug	Input frequency	50 or 60 Hz
Protection class IEC	Safety class I (I)	Initial CLO power consumption	- W
Flammability mark	NO [-]	Average CLO power consumption	- W
CE mark	-	End CLO power consumption	- W
ENEC mark	-	Power factor (min.)	0.95
Warranty period	3 years		
Optic type outdoor	Symmetrical wide beam		

Tango G3 - BVP38x

Controls and Dimming

Dimmable	No
----------	----

Mechanical and Housing

Housing material	Aluminum die-cast
Reflector material	-
Optic material	Polycarbonate
Optical cover/lens material	Polycarbonate
Fixation material	Steel
Mounting device	MBA [Mounting bracket adjustable]
Optical cover/lens shape	-
Optical cover/lens finish	Frosted
Overall length	500 mm
Overall width	84 mm
Overall height	349 mm
Effective projected area	0.12 m ²
Colour	Aluminium and Grey

Approval and Application

Ingress protection code	IP66 [Dust penetration-protected, jet-proof]
Mech. impact protection code	IK08 [5 J vandal-protected]
Surge protection (common/differential)	Surge protection level until 10 kV

Initial Performance (IEC Compliant)

Initial luminous flux (system flux)	9100 lm
-------------------------------------	---------

Luminous flux tolerance	+/-10%
Initial LED luminaire efficacy	130 lm/W
Lamp colour temperature	4000 K
Colour Rendering Index	70
Initial chromaticity	SDCM<=7
Initial input power	70 W
Power consumption tolerance	+/-10%

Application Conditions

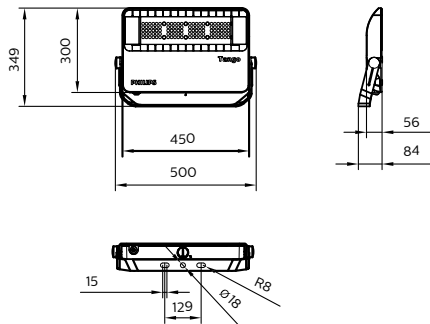
Ambient temperature range	-40 to +50 °C
Maximum dimming level	Not applicable

Product Data

Full product code	911401606105
Order product name	BVP381 LED91/NW 70W 220-240V SWB
Order code	911401606105
SAP numerator – quantity per pack	1
SAP numerator – packs per outer box	1
Material no. (12 NC)	911401606105
SAP net weight (piece)	5.499 kg



Dimensional drawing



BVP38x Tango G3

Tango G3 - BVP38x

