



Product Description:

HF-Regulator II for PL-T/C

Compact, lightweight High-Frequency electronic regulating ballast for PL-T and PL-C compact fluorescent lamps

Benefits

- The lamp power can be dimmed from 1 to 100% via the Analog control input (in accordance with the 1-10 V industry standard)
- Compliant with European and Asian norms and suitable for emergency lighting systems
- HF operation improves light quality, lamp lifetime
- Combined with controls, additional energy savings can be achieved

Features

- Programmed start: flicker-free ignition < 0.5 seconds and striation-free operation, no stroboscopic effects. Preheating the lamp electrodes enables the lamps to be switched on and off without reducing life
- Smart power ensures constant light, independent of mains fluctuations
- Up to 60% reduction in energy consumption by using automatic lighting control systems
- Stop circuit is activated within 5 seconds in the event of lamp failure (safety stop), and ballast resets automatically after lamp replacement

HF-Regulator II for PL-T/C

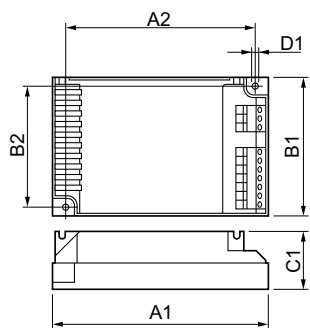
Application

- 1 - 10V installations with daylight linking and/or movement detection (energy saving)
- 1 - 10V installations with remote control systems (comfort)
- Installations with emergency back-up according to VDE 0108-100 / EN 60598-2-22
- Installations with daylight-linked and remote control systems
- Installations with infrared remote control systems
- Conference rooms
- Cinemas
- Department stores, shops, supermarkets
- Office buildings: insurance companies, banks, government ministries
- Hospitals
- Hotels

Versions



Dimensional drawing

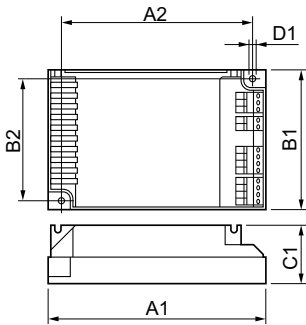


Product

HF-R 1 26-42 PL-T/C EII 220-240V 50/60Hz

HF-Regulator II for PL-T/C

Dimensional drawing



Product

HF-R 2 26-42 PL-T/C EII 220-240V 50/60Hz

HF-R 218 PL-T/C EII 220-240V 50/60Hz

Approval and Application

Energy Efficiency Index A1 BAT

Operating and Electrical

Input Frequency 50 to 60 Hz

Input Voltage 220 to 240 V

General Information

Lamp Type PL-T/C

Mechanical and Housing

Housing S 123x79x33

General Information

Order Code	Full Product Name	Number Of	
		Products On MCB (16A Type B) (Nom)	Number Of Lamps
913700626566	HF-R 2 26-42 PL-T/C EII 220-240V 50/60Hz	12	2 piece/unit
913700626666	HF-R 1 26-42 PL-T/C EII 220-240V 50/60Hz	28	1 piece/unit

Order Code	Full Product Name	Number Of	
		Products On MCB (16A Type B) (Nom)	Number Of Lamps
913700680166	HF-R 218 PL-T/C EII 220-240V 50/60Hz	28	2 piece/unit

System characteristics

Order Code	Full Product Name	Rated Ballast-Lamp Power
913700626566	HF-R 2 26-42 PL-T/C EII 220-240V 50/60Hz	26-42 W
913700626666	HF-R 1 26-42 PL-T/C EII 220-240V 50/60Hz	26-42 W

Order Code	Full Product Name	Rated Ballast-Lamp Power
913700680166	HF-R 218 PL-T/C EII 220-240V 50/60Hz	18 W

