



Product Description

HF-Regulator II for TL-D lamps

Flat, lightweight high-frequency electronic regulating ballast, using 1-10V protocol for TL-D fluorescent lamps

Benefits

- The lamp power can be dimmed from 1 to 100% via the Analog control input (in accordance with the 1-10 V industry standard)
- Compliant with European and Asian norms and suitable for emergency lighting systems
- HF operation improves light quality, lamp lifetime
- Combined with controls, additional energy savings can be achieved

Features

- Programmed start: flicker-free ignition < 0.5 seconds and striation-free operation, no stroboscopic effects. Preheating the lamp electrodes enables the lamps to be switched on and off without reducing life
- Smart power ensures constant light, independent of mains fluctuations.
- Up to 60% reduction in energy consumption by using automatic lighting control systems
- Stop circuit is activated within 5 seconds in the event of lamp failure (safety stop), and ballast resets automatically after lamp replacement

Application

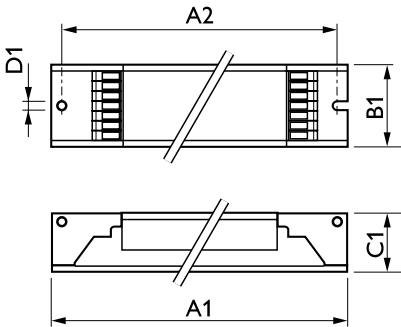
- 1-10V installations with daylight linking and/or movement detection (for energy savings)
- 1-10V installations with remote control systems (combining energy savings with comfort)
- Installations with emergency back-up, according to IEC 60598-2-22

HF-Regulator II for TL-D lamps

Versions



Dimensional drawing



Product

HF-R 236 TL-D EII 220-240V 50/60Hz
HF-R 158 TL-D EII 220-240V 50/60Hz
HF-R 418 TL-D EII 220-240V 50/60Hz
HF-R 258 TL-D EII 220-240V 50/60Hz
HF-R 136 TL-D EII 220-240V 50/60Hz

Approval and Application

Energy Efficiency Index	A1 BAT
-------------------------	--------

Operating and Electrical

Input Frequency	50 to 60 Hz
Input Voltage	220 to 240 V

General Information

Lamp Type	TL-D
-----------	------

General Information

Order Code	Full Product Name	Number Of	
		Products On MCB (16A Type B) (Nom)	Number Of Lamps
913700609266	HF-R 136 TL-D EII 220-240V 50/60Hz	28	1 piece/unit
913700609366	HF-R 236 TL-D EII 220-240V 50/60Hz	12	2 piece/unit
913700609466	HF-R 158 TL-D EII 220-240V 50/60Hz	28	1 piece/unit

Order Code	Full Product Name	Number Of	
		Products On MCB (16A Type B) (Nom)	Number Of Lamps
913700609566	HF-R 258 TL-D EII 220-240V 50/60Hz	12	2 piece/unit
913700614666	HF-R 418 TL-D EII 220-240V 50/60Hz	12	4 piece/unit

Mechanical and Housing

HF-Regulator II for TL-D lamps

Order Code	Full Product Name	Housing
913700609266	HF-R 136 TL-D EII 220-240V 50/60Hz	L 360x30x21
913700609366	HF-R 236 TL-D EII 220-240V 50/60Hz	L 360x30x21
913700609466	HF-R 158 TL-D EII 220-240V 50/60Hz	L 360x30x21

Order Code	Full Product Name	Housing
913700609566	HF-R 258 TL-D EII 220-240V 50/60Hz	L 360x30x21
913700614666	HF-R 418 TL-D EII 220-240V 50/60Hz	L 359x39x22

System characteristics

Order Code	Full Product Name	Rated Ballast-Lamp Power
913700609266	HF-R 136 TL-D EII 220-240V 50/60Hz	36 W
913700609366	HF-R 236 TL-D EII 220-240V 50/60Hz	36 W
913700609466	HF-R 158 TL-D EII 220-240V 50/60Hz	58 W

Order Code	Full Product Name	Rated Ballast-Lamp Power
913700609566	HF-R 258 TL-D EII 220-240V 50/60Hz	58 W
913700614666	HF-R 418 TL-D EII 220-240V 50/60Hz	18 W

