

Product Description

HF-Regulator II for TL5 lamps

Flat, lightweight high-frequency electronic regulating ballast, using 1-10V protocol for TL5 fluorescent lamps

Benefits

- The lamp power can be dimmed from 1 to 100% via the Analog control input (in accordance with the 1-10 V industry standard)
- Compliant with European and Asian norms and suitable for emergency lighting systems
- HF operation improves light quality, lamp lifetime
- Combined with controls, additional energy savings can be achieved

Features

- Programmed start: flicker-free ignition < 0.5 seconds and striation-free operation, no stroboscopic effects. Preheating the lamp electrodes enables the lamps to be switched on and off without reducing life
- Smart power ensures constant light, independent of mains fluctuations
- Up to 60% reduction in energy consumption by using automatic lighting control systems
- Stop circuit is activated within 5 seconds in the event of lamp failure (safety stop), and ballast resets automatically after lamp replacement

Application

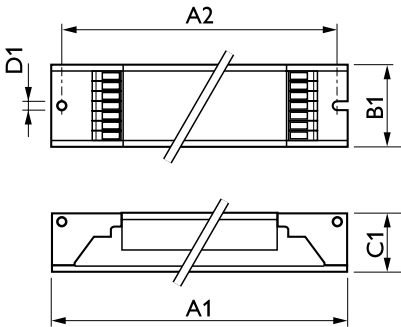
- 1-10V installations with daylight linking and/or movement detection (for energy savings)
- 1-10V installations with remote control systems (combining energy savings with comfort)
- Installations with emergency back-up, according to IEC 60598-2-22

HF-Regulator II for TL5 lamps

Versions



Dimensional drawing



Product

| |
|--|
| HF-R 1 14-35 TL5 EII 220-240V 50/60Hz |
| HF-R 249 TL5 EII 220-240V 50/60Hz |
| HF-R 280 TL5/PL-L EII 220-240V 50/60Hz |
| HF-R 2 14-35 TL5 EII 220-240V 50/60Hz |
| HF-R 414 TL5 EII 220-240V 50/60Hz |

Approval and Application

| | |
|-------------------------|--------|
| Energy Efficiency Index | A1 BAT |
|-------------------------|--------|

Operating and Electrical

| | |
|-----------------|--------------|
| Input Frequency | 50 to 60 Hz |
| Input Voltage | 220 to 240 V |

General Information

| Order Code | Full Product Name | Number Of Products On | | |
|--------------|--|------------------------|-----------------|-----------|
| | | MCB (16A Type B) (Nom) | Number Of Lamps | Lamp Type |
| 913700608766 | HF-R 249 TL5 EII 220-240V 50/60Hz | 12 | 2 piece/unit | TL5 |
| 913700609166 | HF-R 280 TL5/PL-L EII 220-240V 50/60Hz | 9 | 2 piece/unit | TL5/PL-L |
| 913700614466 | HF-R 414 TL5 EII 220-240V 50/60Hz | 28 | 4 piece/unit | TL5 |

| Order Code | Full Product Name | Number Of Products On | | |
|--------------|---------------------------------------|------------------------|-----------------|-----------|
| | | MCB (16A Type B) (Nom) | Number Of Lamps | Lamp Type |
| 913700619566 | HF-R 2 14-35 TL5 EII 220-240V 50/60Hz | 12 | 2 piece/unit | TL5 |
| 913700619866 | HF-R 1 14-35 TL5 EII 220-240V 50/60Hz | 28 | 1 piece/unit | TL5 |

Mechanical and Housing

| Order Code | Full Product Name | Housing |
|--------------|-----------------------------------|-------------|
| 913700608766 | HF-R 249 TL5 EII 220-240V 50/60Hz | L 360x30x21 |

| Order Code | Full Product Name | Housing |
|--------------|--|-------------|
| 913700609166 | HF-R 280 TL5/PL-L EII 220-240V 50/60Hz | L 425x30x21 |

HF-Regulator II for TL5 lamps

| Order Code | Full Product Name | Housing |
|--------------|---------------------------------------|-------------|
| 913700614466 | HF-R 414 TL5 EII 220-240V 50/60Hz | L 359x39x22 |
| 913700619566 | HF-R 2 14-35 TL5 EII 220-240V 50/60Hz | L 360x30x21 |

| Order Code | Full Product Name | Housing |
|--------------|---------------------------------------|-------------|
| 913700619866 | HF-R 1 14-35 TL5 EII 220-240V 50/60Hz | L 360x30x21 |

System characteristics

| Order Code | Full Product Name | Rated Ballast-Lamp |
|--------------|--|--------------------|
| | | Power |
| 913700608766 | HF-R 249 TL5 EII 220-240V 50/60Hz | 49 W |
| 913700609166 | HF-R 280 TL5/PL-L EII 220-240V 50/60Hz | 80 W |
| 913700614466 | HF-R 414 TL5 EII 220-240V 50/60Hz | 14 W |

| Order Code | Full Product Name | Rated Ballast-Lamp |
|--------------|---------------------------------------|--------------------|
| | | Power |
| 913700619566 | HF-R 2 14-35 TL5 EII 220-240V 50/60Hz | 14-35 W |
| 913700619866 | HF-R 1 14-35 TL5 EII 220-240V 50/60Hz | 14-35 W |

