



# Product Description

## HF-Regulator II for PL-L lamps

Flat, lightweight high-frequency electronic regulating ballast, using 1-10V protocol for PL-L fluorescent lamps

### Benefits

- The lamp power can be dimmed from 1 to 100% via the Analog control input (in accordance with the 1-10 V industry standard)
- Compliant with European and Asian norms and suitable for emergency lighting systems
- HF operation improves light quality, lamp lifetime
- Combined with controls, additional energy savings can be achieved

### Features

- Programmed start: flicker-free ignition < 0.5 seconds and striation-free operation, no stroboscopic effects. Preheating the lamp electrodes enables the lamps to be switched on and off without reducing life
- Smart power ensures constant light, independent of mains fluctuations
- Up to 60% reduction in energy consumption by using automatic lighting control systems
- Stop circuit is activated within 5 seconds in the event of lamp failure (safety stop), and ballast resets automatically after lamp replacement

### Application

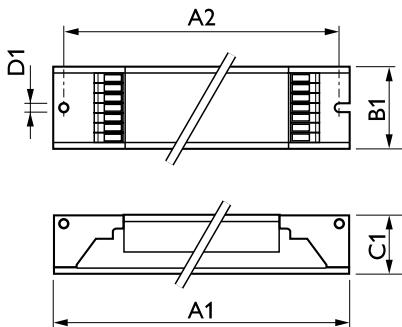
- 1-10V installations with daylight linking and/or movement detection (for energy savings)
- 1-10V installations with remote control systems (combining energy savings with comfort)
- Installations with emergency back-up, according to IEC 60598-2-22

# HF-Regulator II for PL-L lamps

## Versions



## Dimensional drawing



Product	D1	C1	A1	A2	B1
HF-R 180 TL5/PL-L EII 220-240V 50/60Hz	4.2 mm	22 mm	360 mm	350 mm	30 mm
HF-R 280 TL5/PL-L EII 220-240V 50/60Hz					

### Approval and Application

Energy Efficiency Index A1 BAT

### Operating and Electrical

Input Frequency 50 to 60 Hz

Input Voltage 220 to 240 V

### General Information

Lamp Type TL5/PL-L

### System characteristics

Rated Ballast-Lamp Power 80 W

## General Information

Order Code	Full Product Name	Number Of Products On MCB (16A Type B) (Nom)	Number Of Lamps
913700609066	HF-R 180 TL5/PL-L EII 220-240V 50/60Hz	12	1 piece/unit

Order Code	Full Product Name	Number Of Products On MCB (16A Type B) (Nom)	Number Of Lamps
913700609166	HF-R 280 TL5/PL-L EII 220-240V 50/60Hz	9	2 piece/unit

## Mechanical and Housing

Order Code	Full Product Name	Housing
913700609066	HF-R 180 TL5/PL-L EII 220-240V 50/60Hz	L 360x30x21

## HF-Regulator II for PL-L lamps

Order Code	Full Product Name	Housing
913700609166	HF-R 280 TL5/PL-L EII 220-240V 50/60Hz	L 425x30x21

