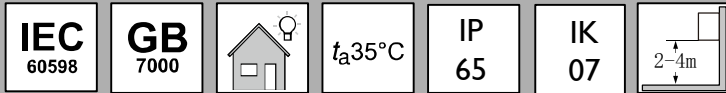


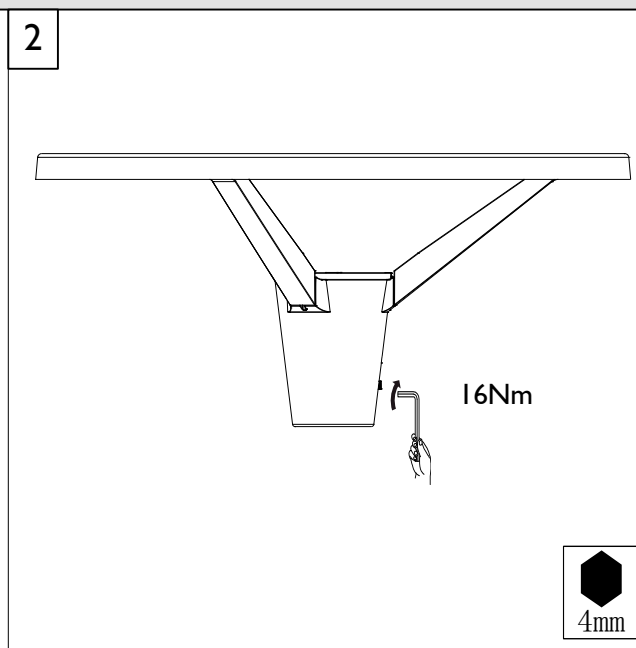
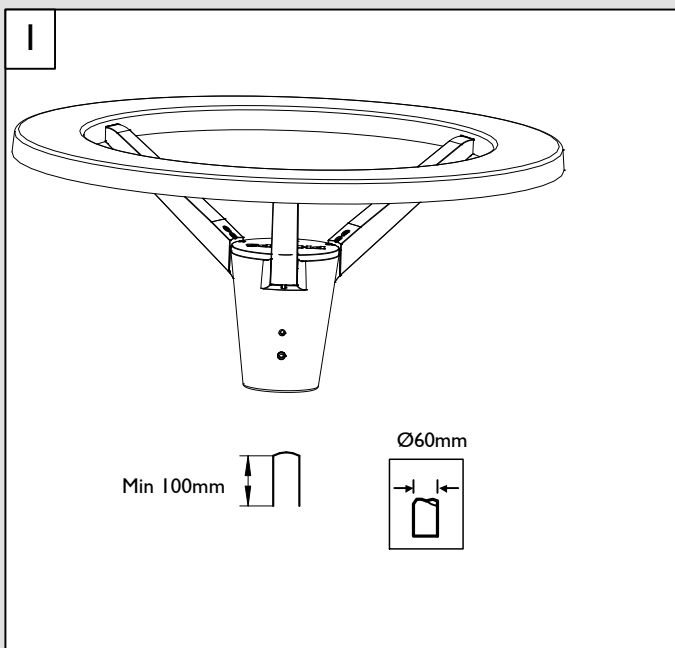
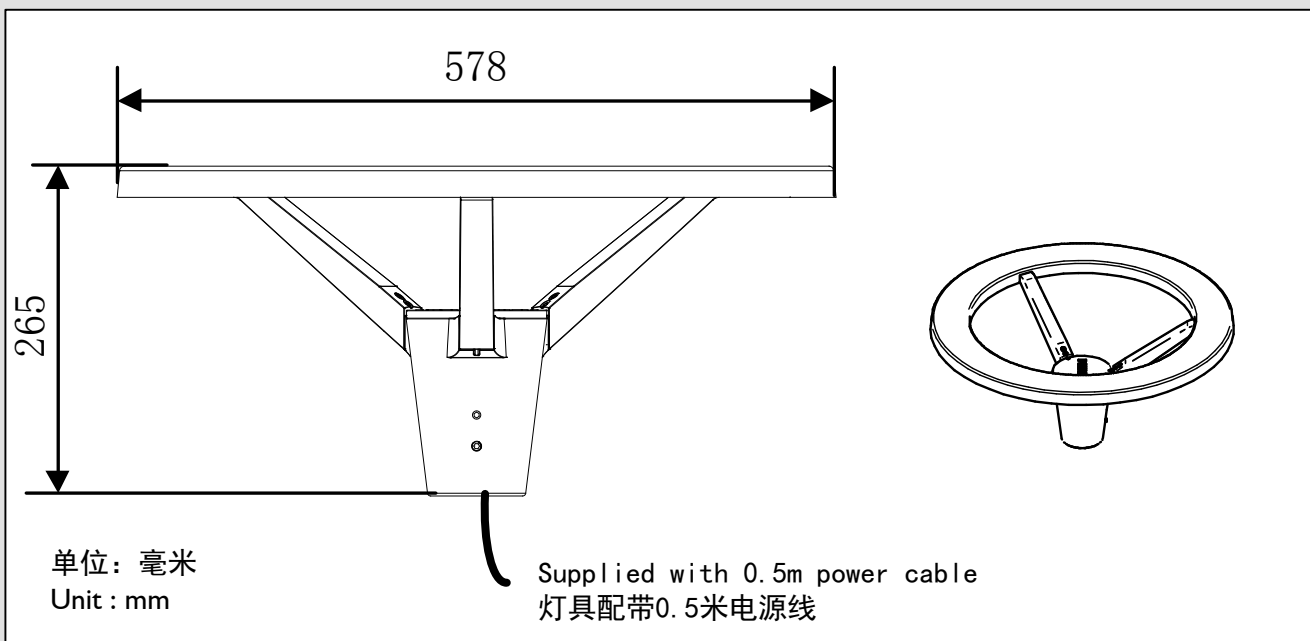
Smart Post Top G3/庭院灯 BGPI6I

Mounting instruction/ 安装说明

444100099091

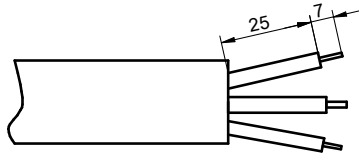


| Type 型号 | Voltage/Frequency 电压/频率 | Power 功率 | CCT 色温 | Color 颜色 | kg |
|-------------------------------------|----------------------------|-------------|-----------|-------------|-----|
| BGPI6I LED2500/WW PSU 220-240V 9006 | 220-240V/50/60Hz | 27W | 3000K | 9006 | 4.5 |
| BGPI6I LED2500/WW PSU 220-240V 7043 | 220-240V/50/60Hz | 27W | 3000K | 7043 | 4.5 |
| BGPI6I LED2500/NW PSU 220-240V 9006 | 220-240V/50/60Hz | 27W | 4000K | 9006 | 4.5 |
| BGPI6I LED2500/NW PSU 220-240V 7043 | 220-240V/50/60Hz | 27W | 4000K | 7043 | 4.5 |



Philips Lighting (China) Investment Co., Ltd.
Address: Building No.9, Lane 888 Tianlin Road
Postalcode: 200233
飞利浦照明 (中国) 投资有限公司
地址: 中国上海市闵行区田林路888弄9号楼
邮编: 200233

PHILIPS



Blue N/蓝线N

Brown L/棕线N

Yellow Green GND/黄绿线GND

Cable

60245IEC57 3x1mm²

1. The luminaire shall be installed by a qualified electrician and wired in accordance with the latest IEE electrical regulations or the national requirements.

灯具应由有资格的电工安装，接线要符合IEE电气标准或国家标准。

2. For non-user replaceable light sources:

“The light source contained in this luminaire shall only be replaced by manufacturer or his service agent or a similar qualified person.”

对于非客户可更换的光源，仅能由制造商或售后服务或专业人员更换和维护。

3. The luminaire is complied to IEC 60598-1 ed. 8 or GB 7000.1-2007.

此灯具是依据IEC 60598-1 ed. 8 或国标GB 7000.1-2007所制造。

4. Luminaire connection is Y type: if the cord is damaged, it should be replaced by manufacturer or service agent etc.

灯具采用Y型连接：如果外部软缆或者软线损坏，该线由制造商或其服务代理商或有类似资格的人更换。

5. The wire connection method is determined by local electrical codes and regulations, typically either wire nuts or screws terminal blocks.

接线方式取决于当地电器法规及规定，一般使用螺纹旋紧型导线连接器或螺钉接线端子。

6. Do not switch on before complete installation.

灯具安装完成前请勿打开电源。

7. Users should use the same IP level connection box for power connection.

灯具使用同等或更高IP等级的防水接线盒连接电源。



This marking indicates that this product should not be disposed with other household wastes throughout the EU. To prevent possible harm to the environment or human health from uncontrolled waste disposal, recycle it responsibly to promote the sustainable reuse of material resources. To return your used device, please use the return and collection systems or contact the retailer where the product was purchased. They can take this product for environmental safe recycling.

这个标志表示在欧洲这个产品不能和其他的家庭废物一起处理。为了保护未可控的废物对环境和人体的伤害，回收是对原材料的合理重复利用。请使用回收和收集系统或者联系购买产品的零售商以便退回已使用的物品。他们会对产品进行安全回收。

产品中有害物质的名称及含量

| 部件名称 | 有害物质 | | | | | |
|------------------|--------|--------|--------|---------------|------------|--------------|
| | 铅 (Pb) | 汞 (Hg) | 镉 (Cd) | 六价铬 (Cr (VI)) | 多溴联苯 (PBB) | 多溴二苯醚 (PBDE) |
| LED灯板/光源 | ○ | ○ | ○ | ○ | ○ | ○ |
| 驱动器(板), 铜制及电子零部件 | × | ○ | ○ | ○ | ○ | ○ |
| 透镜光学部件 | ○ | ○ | ○ | ○ | ○ | ○ |
| 外壳及其它零部件 | ○ | ○ | ○ | ○ | ○ | ○ |

本表格依据SJ/T 11364的规定编制

○表示该有害物质在该部件所有均质材料中的含量均在GB/T 26572规定的限量要求以下。

×表示该有害物质至少在该部件所均质材料中的含量超出GB/T 26572规定的限量要求。

Applicable to China Only