



MASTER LEDspot LV

MASTER LED 8-50W+ 830 MR16 24D Dim

Delivering an intense accent beam, the MASTER LEDspot LV is an ideal retrofit solution for spot-lighting. The MASTER LEDspot LV is designed to replace halogen or incandescent spots. It achieves natural colours, enables cosy and comfortable ambience for residential and hospitality usage, and emphasises the beauty of merchandise in retail. A new smaller housing provides perfect fitting with the majority of luminaires on the market with a MR16 GU 5.3 holder. It not only employs Philips's patented solution to guarantee the broadest possible compatibility with standard 12 V halogen electronic transformers, it also delivers high beam intensity which is equivalent to halogen MR16 spots. The dimming function enables users to create the desired atmosphere and it works with broad selection of dimmers. Its high SDCM ensures stricter colour consistency, that is maintained over product life. The MASTER LEDspot LV delivers huge energy savings and minimises maintenance costs without any compromise on light quality and lifetime, enabling residential and business owners to achieve a return on their investment within a short time period.

Product data

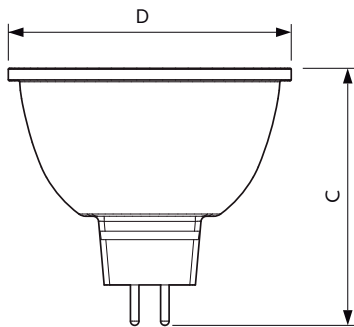
| General Information | | Colour Designation | |
|----------------------------------|-----------------------|--|------------|
| Cap base | GU5.3 [GU5.3] | Colour Designation | White (WH) |
| RoHS mark | RoHS mark | Rated beam angle | 24 ° |
| Nominal lifetime (nom.) | 40000 h | Colour Temperature, horizontal (Nom) | 3000 K |
| Switching cycle | 50000X | Lamp Luminous Efficacy EM (Nom) | 82.00 lm/W |
| Technical type | 8-50W | Colour consistency | <4 |
| | | Colour Rendering Index,horiz (Nom) | 80 |
| | | LLMF at end of nominal lifetime (nom.) | 70 % |
| Light Technical | | Operating and Electrical | |
| Colour Code | 830 [CCT of 3,000 K] | Power (Rated) (Nom) | 8 W |
| Technical Beam Angle (Nom) | 24 ° | Lamp current (nom.) | 960 mA |
| Lamp Luminous Flux 25°C EL (Nom) | 660 lm | Wattage equivalent | 50 W |
| Lamp Luminous Flux (Nom) | 660 lm | Starting time (nom.) | 0.5 s |
| Luminous intensity (nom.) | 3250 cd | | |

MASTER LEDspot LV

| | |
|----------------------------------|--------|
| Warm-up time to 60% light (nom.) | 0.5 s |
| Power factor (nom.) | 0.7 |
| Voltage (Nom) | 12 V |
| Temperature | |
| T-Case maximum (nom.) | 100 °C |
| Controls and Dimming | |
| Dimmable | Yes |
| Approval and Application | |
| Energy efficiency label (EEL) | A+ |
| Suitable for accent lighting | Yes |

| | |
|---------------------------------|------------------------------------|
| Energy Consumption kWh/1000 h | 9 kWh |
| Product Data | |
| Full product code | 871869681273000 |
| Order product name | MASTER LED 8-50W+ 830 MR16 24D Dim |
| EAN/UPC – product | 8718696812730 |
| Order code | 929001881408 |
| Numerator – quantity per pack | 1 |
| Numerator – packs per outer box | 10 |
| Material no. (12NC) | 929001881408 |
| Net weight (piece) | 0.052 kg |

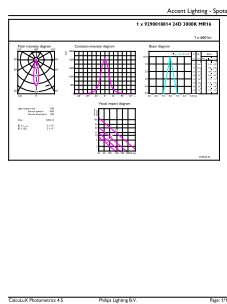
Dimensional drawing



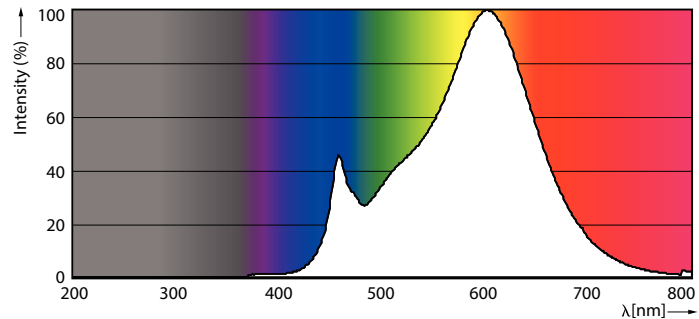
MR16 12V 8-50W 621lm 24D 3000K GU5.3 D

| Product | D | C |
|------------------------------------|---------|---------|
| MASTER LED 8-50W+ 830 MR16 24D Dim | 50.5 mm | 46.5 mm |

Photometric data



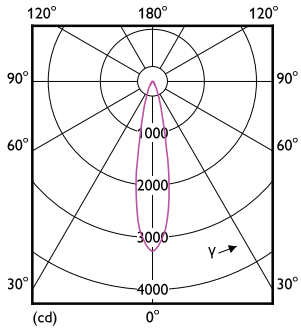
8-50W GU5-3 MR16 24D 830 3000K



8-50W GU5-3 MR16

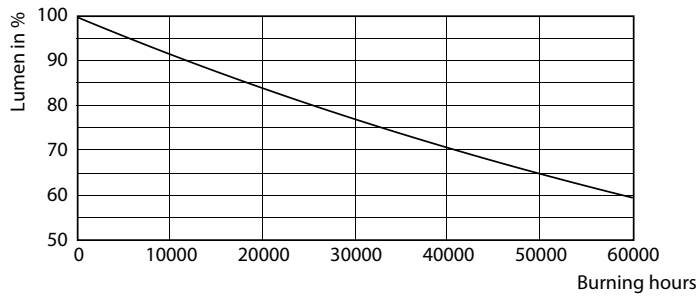
MASTER LEDspot LV

Photometric data

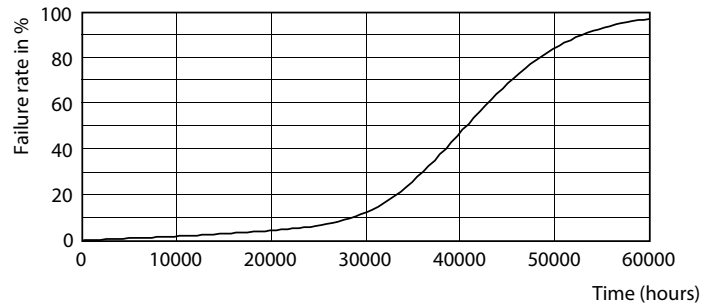


8-50W GU5-3 MR16 24D 827 2700K

Lifetime



7-50W GU5-3 MR16



7-50W GU5-3 MR16

