



# MASTERColour CDM-T Elite

## MASTERColour CDM-T Elite 35W/942 G12 1CT

Single-ended, high-efficiency Ceramic Metal Halide discharge lamp

### Warnings and Safety

- Use only in totally enclosed luminaire, even during testing (IEC61167, IEC 62035, IEC60598)
- The luminaire must be able to contain hot lamp parts if the lamp ruptures
- Use only with electronic control gear. 35W & 70W lamps may also use electromagnetic gear.
- Control gear must include end-of-life protection (IEC61167, IEC 62035)
- A lamp breaking is extremely unlikely to have any impact on your health. If a lamp breaks, ventilate the room for 30 minutes and remove the parts, preferably with gloves. Put them in a sealed plastic bag and take it to your local waste facilities for recycling. Do not use a vacuum cleaner.

### Product data

General Information			
Cap base	G12 [ G12]	Lumen maintenance 10,000 hours (nom.)	73 %
Burning Position	UNIVERSAL [ Any/Universal]	Lumen maintenance 2,000 hours (nom.)	84 %
Life to 5% failures (nom.)	9000 h	Lumen maintenance 4,000 hours (nom.)	80 %
Life to 10% failures (nom.)	10000 h	Lumen maintenance 5,000 hours (nom.)	79 %
Life to 20% failures (nom.)	12000 h	Chromaticity coordinate X (nom.)	0.366
Life to 50% failures (nom.)	15000 h	Chromaticity coordinate Y (nom.)	0.364
ANSI code HID	-	Colour Temperature, horizontal (Nom)	4200 K
		Lamp Luminous Efficacy EM (Nom)	98 lm/W
		Colour Rendering Index,horiz (Min)	87
		Colour Rendering Index,horiz (Nom)	90
Light Technical		Operating and Electrical	
Colour Code	942 [ CCT of 4,200 K]	Power (Rated) (Nom)	39.1 W
Lamp Luminous Flux (Nom)	3850 lm	Lamp current (EM) (nom.)	0.51 A
Colour Designation	Cool White (CW)	Ignition supply voltage (min.)	198 V
Lumen maintenance 1,000 hours (nom.)	89 %		
Lumen maintenance 12,000 hours (nom.)	71 %		

# MASTERColour CDM-T Elite

Re-ignition time (min.) (max.)	15 min
Ignition time (max.)	30 s
Voltage (Max)	96 V
Voltage (Min)	84 V
Voltage (Nom)	90 V

## Controls and Dimming

Dimmable	No
Run-up time 90% (max.)	3 min

## Mechanical and Housing

Lamp Finish	Clear
-------------	-------

## Approval and Application

Energy efficiency label (EEL)	A+
Mercury (Hg) content (nom.)	4.9 mg
Energy consumption kWh/1,000 hours	43 kWh

## UV

PET (NIOSH) (min.)	8 h/500lx
--------------------	-----------

Damage factor D/fc (max.)	0.4
---------------------------	-----

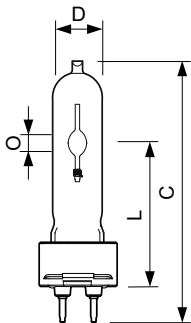
## Luminaire Design Requirements

Bulb temperature (max.)	500 °C
Cap-base temperature (max.)	250 °C
Pinch temperature (max.)	350 °C

## Product Data

Full product code	871869648453100
Order product name	MASTERColour CDM-T Elite 35W/942 G12 1CT
EAN/UPC – product	8718696484531
Order code	928193605129
SAP numerator – quantity per pack	1
Numerator – packs per outer box	12
SAP material	928193605129
SAP net weight (piece)	28.000 g
ILCOS code	MT/UB-35/942-H-G12-20/90

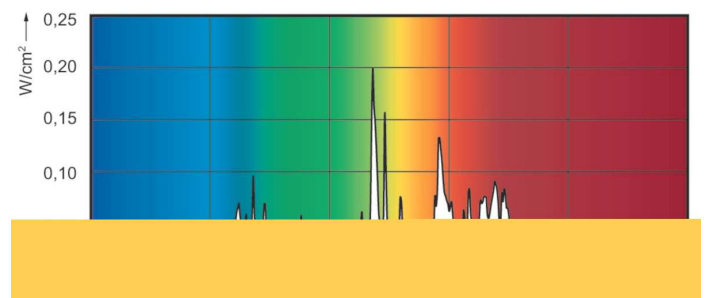
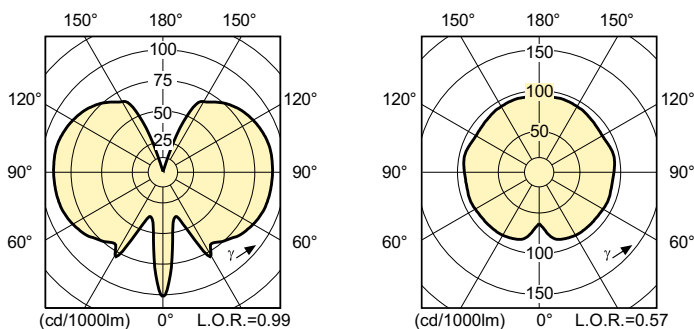
## Dimensional drawing



CDM-T Elite 35W/942 G12

Product	D (max)	O	L (min)	L (max)	L	C (max)
MASTERColour CDM-T Elite 35W/942 G12 1CT	20 mm	5.2 mm	55 mm	57 mm	56 mm	103 mm

## Photometric data



# MASTERColour CDM-T Elite

## Lifetime

