



MASTERColour CDM-Rm Elite Mini



MASTERColour CDM-Rm Elite Mini 20W/830 GX10 MR16 25D

Mini, very high-efficiency Ceramic Metal Halide discharge reflector lamp producing crisp white sparkling light with high colour rendering

Warnings and Safety

- Use only with electronic control gear
- Control gear must include end-of-life protection (IEC61167, IEC 62035)

Product data

General Information		Lamp Luminous Flux 25°C EL (Nom)	
Cap base	GX10 [GX10]	Lamp Luminous Flux (Min)	900 lm
Burning Position	UNIVERSAL [Any/Universal]	Lamp Luminous Flux (Nom)	1000 lm
Life to 5% failures (nom.)	9000 h	Luminous intensity (min.)	3100 cd
Life to 10% failures (nom.)	10000 h	Luminous intensity (nom.)	4000 cd
Life to 20% failures (nom.)	12000 h	Beam description	-
Life to 50% failures (nom.)	15000 h	Lumen maintenance 12,000 hours (nom.)	75 %
ANSI code HID	C156/O	Lumen maintenance 2,000 hours (nom.)	90 %
Switching cycle	1350X	Lumen maintenance 4,000 hours (nom.)	85 %
	Narrow Cone	Chromaticity coordinate X (nom.)	0.434
		Chromaticity coordinate Y (nom.)	0.398
		Colour Temperature, horizontal (Nom)	3000 K
		Lamp Luminous Efficacy EM (Nom)	50 lm/W
		Colour Rendering Index,horiz (Min)	81
		Colour Rendering Index,horiz (Nom)	84
		LLMF at end of nominal lifetime (nom.)	70 %
Light Technical			
Colour Code	830 [CCT of 3,000 K]		
Technical Beam Angle (Nom)	25 °		
Beam angle technical	22 °		
Beam angle technical	27.5 °		
Beam angle technical	16.5 °		

MASTERCcolour CDM-Rm Elite Mini

Luminous flux in 90° cone (rated)	900 lm
-----------------------------------	--------

Operating and Electrical

Power (Rated) (Nom)	20.1 W
Re-ignition time (min.) (max.)	15 min
Warm-up time to 60% light (nom.)	120 s
Ignition time (max.)	30 s
Voltage (Max)	100 V
Voltage (Min)	90 V
Voltage (Nom)	95 V

Controls and Dimming

Dimmable	No
Run-up time 90% (max.)	3 min

Mechanical and Housing

Bulb shape	MR16 [2inch/50mm]
------------	--------------------

Approval and Application

Energy Efficiency Class	G
Mercury (Hg) content (max.)	3.5 mg
Mercury (Hg) content (nom.)	3.5 mg
Energy consumption kWh/1,000 hours	21 kWh

473267

UV

PET (NIOSH) (min.)	8 h/500lx
Damage factor D/fc (max.)	0.4

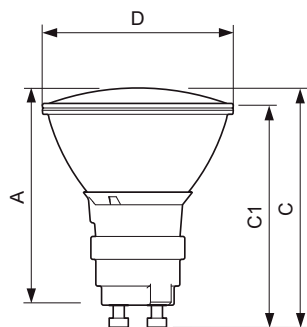
Luminaire Design Requirements

Reflector neck temperature (max.)	215 °C
-----------------------------------	--------

Product Data

Full product code	871829120301800
Order product name	MASTERCcolour CDM-Rm Elite Mini 20W/830 GX10 MR16 25D
EAN/UPC – product	8718291203018
Order code	928191105331
SAP numerator – quantity per pack	1
Numerator – packs per outer box	12
SAP material	928191105331
SAP net weight (piece)	0.047 kg
ILCOS code	MRS/UB-20/830-H-GX10-51/54.5/25

Dimensional drawing

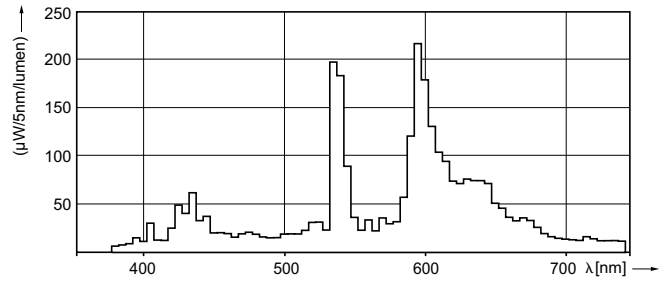
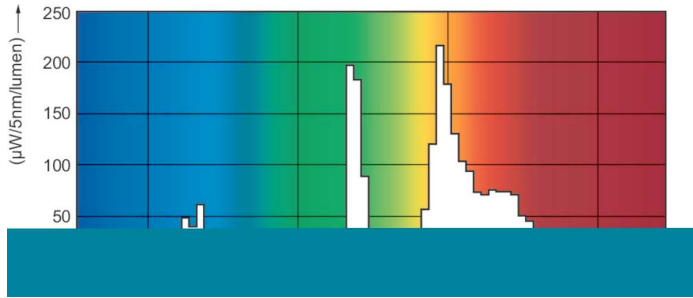


CDM-Rm 20W/830 GX10 MR16 25D

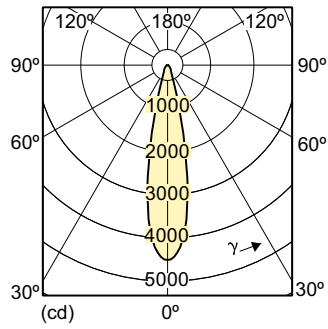
Product	D (max)	D	C (max)	C	C1 (max)	A (max)
MASTERCcolour CDM-Rm	51 mm	50	65.4 mm	62.75	60.9 mm	59 mm
Elite Mini 20W/830 GX10		mm		mm		
MR16 25D						

MASTERColour CDM-Rm Elite Mini

Photometric data



MASTERColour CDM-R Mini /830



LDLD_CDM-Rm_20W_25D_0003-Light distribution diagram

Lifetime



MASTERCcolour CDM-Rm Elite Mini

