



InfraRed Healthcare Heat Incandescent

PAR38 IR 150W E27 230V Red 1CT/12

Philips infrared lamps for healthcare and bodycare applications are designed for treating deep-seated muscular ailments and sports injuries. These incandescent reflector lamps are an excellent solution to provide localized heat treatment to relieve muscular pain. They can also be used to treat rheumatic ailments. This form of heat therapy has also been shown to speed the healing of different kinds of injuries such as sports injuries and non-infected wounds, in many cases providing rapid and effective pain relief. The benefits of this form of heat therapy are based on locally enhanced blood circulation in the skin caused by vasodilatory response. This results in an increased transport rate of metabolites and other essential biochemical compounds. Benefits are also gained by deeper penetration of heat, which provides a gentle, pleasant warming effect.

Product data

General Information	
Cap base	E27 [E27]
Burning Position	UNIVERSAL [Any/Universal]
Main application	Infrared Health
Nominal lifetime (nom.)	300 h
Rated Lifetime	300 h

Operating and Electrical	
Power (Rated) (Nom)	150 W
Voltage (Nom)	230 V

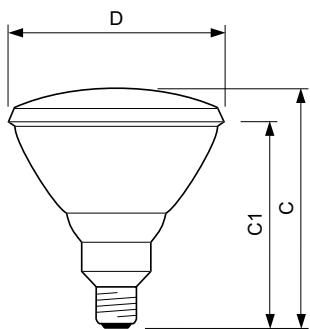
Controls and Dimming	
Dimmable	Yes

Mechanical and Housing	
Lamp Finish	Red
Bulb material	Hard Glass
Bulb shape	PAR38 [PAR 4.75 inch/121mm]

Product Data	
Full product code	871150012887415
Order product name	PAR38 IR 150W E27 230V Red 1CT/12
EAN/UPC – product	8711500128874
Order code	923806644210
SAP numerator – quantity per pack	1
Numerator – packs per outer box	12
SAP material	923806644210
SAP net weight (piece)	308.000 g

InfraRed Healthcare Heat Incandescent

Dimensional drawing



PAR38 IR 150W E27 230V Red 1CT/12

Product	D	C (max)	C1 (max)
PAR38 IR 150W E27 230V Red 1CT/12	121 mm	136 mm	124 mm

