



# Dynalite System Integration

## DDNG232

RS232 Network Gateway for cost-effective serial port integration

RS232 Network Gateway for cost-effective serial port integration

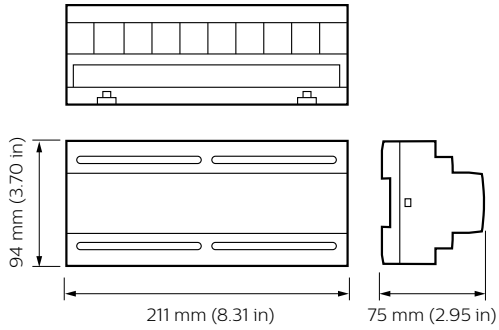
### Product data

General Information	
CE mark	CE mark
Remarks	Please download the Lighting - Product Data Sheet for more information and ordering options
EU RoHS compliant	Yes
Application Conditions	
Ambient temperature range	0 to +50 °C
Product Data	
Full product code	871016352254800

Order product name	DDNG232
EAN/UPC – product	8710163522548
Order code	913703081809
SAP numerator – quantity per pack	1
Numerator – packs per outer box	1
SAP material	913703081809
SAP net weight (piece)	169.000 g

# Dynalite System Integration

## Dimensional drawing



Dynalite System Integration

