



Dynalite Signal Dimmer Controllers

DMBC110

Signal Dimmer & Relay Controller (luminaire based)

Signal Dimmer & Relay Controller (luminaire based)

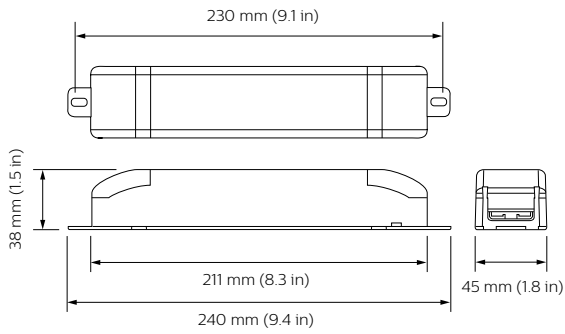
Product data

| General Information | |
|---------------------------|---------------------------------------------------------------------------------------------|
| CE mark | CE mark |
| Remarks | Please download the Lighting - Product Data Sheet for more information and ordering options |
| EU RoHS compliant | Yes |
| Application Conditions | |
| Ambient temperature range | 0 to +50 °C |
| Product Data | |
| Full product code | 871016350636400 |

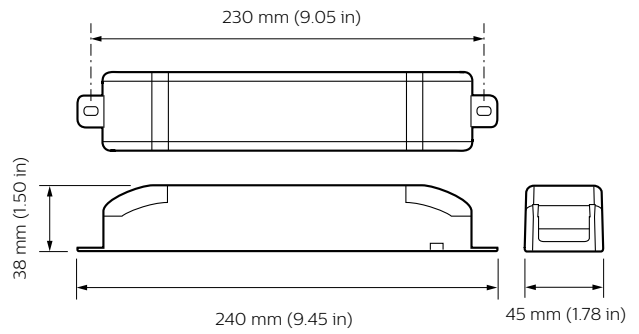
| | |
|-----------------------------------|---------------|
| Order product name | DMBC110 |
| EAN/UPC – product | 8710163506364 |
| Order code | 913703030009 |
| SAP numerator – quantity per pack | 1 |
| Numerator – packs per outer box | 1 |
| SAP material | 913703030009 |
| SAP net weight (piece) | 0.700 kg |

Dynalite Signal Dimmer Controllers

Dimensional drawing



Dynalite Signal Dimmer Controllers



Dynalite Signal Dimmer Controllers

