



Dynalite Leading Edge Dimmers

DLE1210GL

12 channel Leading Edge dimmer with a maximum load per channel of 10 A.

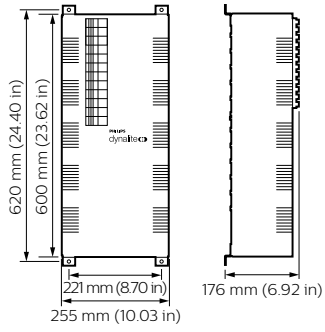
The Philips Dynalite DLE1210GL is a 12 channel leading edge dimmer controller, with a maximum load per channel of 10 A and total device load of 75 A. - It is suitable for use with incandescent, neon and selected fluorescent light sources, as well as iron core and leading edge dimmable electronic transformers. - Large load capabilityDMX512 compatibilityInterference suppressionNaturally ventilatedSoft start and voltage regulation technologiesDiagnostic functionalityUser controlsOption available

Product data

General Information		Order product name	
CE mark	CE mark	DLE1210GL	
Remarks	Please download the Lighting - Product Data Sheet for more information and ordering options	EAN/UPC – product	8710163505688
EU RoHS compliant	Yes	Order code	913703014009
Application Conditions		SAP numerator – quantity per pack	1
Ambient temperature range	0 to +40 °C	Numerator – packs per outer box	1
Product Data		SAP material	913703014009
Full product code	871016350568800	SAP net weight (piece)	16.000 kg

Dynalite Leading Edge Dimmers

Dimensional drawing



Dynalite Leading Edge Dimmers

