



HF-Regulator II for PL-T/C

HF-R 218 PL-T/C EII 220-240V 50/60Hz

Compact, lightweight High-Frequency electronic regulating ballast for PL-T and PL-C compact fluorescent lamps

Product data

General information		Ballast factor (nom.)	
Application code	EII		1.0
Type version	mk3	Inrush current peak (max.)	28 A
Lamp type	PL-T/C	Efficiency at full load [%]	87.26 %
Number of lamps	2 piece/unit	Wiring	
Number of products on MCB (16 A type B) (nom.)	28	Connector type input terminals	Insert
Automatic restart	Yes	Cable capacity output wires mutual (nom.)	30 pF
Operating and electrical		Connector type output terminals	Insert
Input Voltage	220 to 240 V	Connector type control input terminals	Insert
Input frequency	50 to 60 Hz	Wire strip length	7.5-8.5 mm
Operating frequency (max.)	100 kHz	Dual fixture master/slave	Not applicable [Master/Slave oper. not applicable]
Operating frequency (min.)	40 kHz	Control input terminal cross section	0.50-1.50 mm ²
Ignition method	Programmed Start	Input terminal cross section	0.50-1.50 mm ²
Crest factor (max.)	1.7	Output terminal cross section	0.50-1.50 mm ²
Power factor 100% load (nom.)	0.95	Cable capacity output wires to earth (nom.)	75 pF
Mains voltage performance (AC)	-8%+6%	System characteristics	
Mains voltage safety (AC)	-10%+10%	Rated ballast-lamp power	18 W
Earth leakage current (max.)	0.5 mA	Temperature	
Inrush current width	0.35 ms	T-ambient (max.)	50 °C
Constant wattage deviation	-2%/+2%		

HF-Regulator II for PL-T/C

T-ambient (min.)	-20 °C
T storage (max.)	80 °C
T storage (min.)	-25 °C
T-case lifetime (nom.)	65 °C
T-case lifetime (nom.)	65 °C
T-Case maximum (max.)	75 °C
Stable lamp operation temperature	Not Specified

Controls and dimming

Control interface	1-10V
Regulating level power	1%-100%
Control input protection	Yes (Basic insulation)

Mechanical and housing

Housing	S 123x79x33
---------	-------------

Emergency operation

Battery voltage lamp ignition	198-254 V
Battery voltage lamp operation	176-254

Approval and application

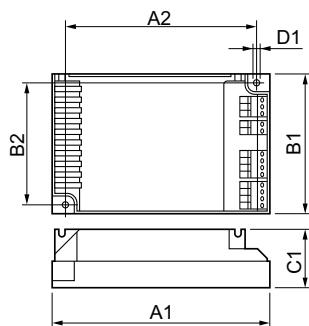
Energy efficiency index	A1 BAT
IP classification	IP 20 [Ingress Protection 20]
EMI 9 kHz ... 30 MHz	EN55015
EMI 30 MHz ... 1,000 MHz	EN55022 level B
Safety standard	IEC 61347-2-3

Performance standard	IEC 60929
Quality standard	ISO 9000:2000
Environmental standard	ISO 14001
Harmonic current emission standard	IEC 61000-3-2
EMC immunity standard	IEC 61547
Vibration standard	IEC68-2-6 F c
Bumps standard	IEC 68-2-29 Eb
Humidity standard	EN 61347-2-3 clause 11
Approval marks	CE marking ENEC certificate VDE-EMV certificate
Temperature marking	Not specified
Emergency standard	IEC 60598-2-22
Humming and noise level	Inaudible

Product data

Full product code	871829117698500
Order product name	HF-R 218 PL-T/C EII 220-240V 50/60Hz
EAN/UPC – product	8718291176985
Order code	913700680166
SAP numerator – quantity per pack	1
Numerator – packs per outer box	12
SAP material	913700680166
Net Weight (Piece)	0.230 kg

Dimensional drawing



HF-R 218 PL-T/C EII 220-240V 50/60Hz

Product	D1	C1	A1	A2	B1	B2
HF-R 218 PL-T/C EII	4.5 mm	33.0	123.0	111.0	79.0	67.0
220-240V 50/60Hz		mm	mm	mm	mm	mm

HF-Regulator II for PL-T/C

