



SmartBright Highbay G2

BY228Z RL-S

Accessory

SmartBright Highbay G2 is a high efficient and reliable LED luminaire. Designed as the point to point replacement for HPI 250W/400W luminaires, it offers customers all the benefits of LED lighting – reduced energy consumption, longer service time and less maintenance. In addition, with using high quality of the optical plate, it provides an excellent quality of light, which effectively improves the comfort of your environment.

Product data

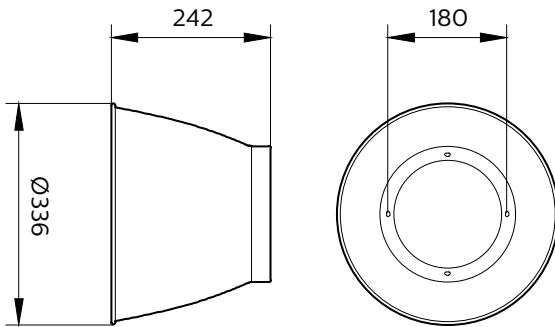
| General Information | |
|---------------------|----------|
| CE mark | - |
| Material | Aluminum |
| Colour | Grey |

| Mechanical and Housing | |
|-------------------------------------|---|
| Overall height | 242 mm |
| Overall diameter | 336 mm |
| Dimensions (height x width x depth) | 242 x NaN x NaN mm (9.5 x NaN x NaN in) |

| Product Data | |
|-----------------------------------|--------------|
| Full product code | 911401594731 |
| Order product name | BY228Z RL-S |
| Order code | 911401594731 |
| SAP numerator – quantity per pack | 1 |
| Numerator – packs per outer box | 6 |
| SAP material | 911401594731 |
| SAP net weight (piece) | 0.332 kg |

SmartBright Highbay G2

Dimensional drawing



BY228Z RL-S

