



GreenUp Lowbay G2

BY288X PIR Sensor

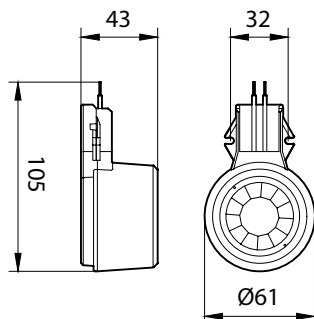
V Hz - Finger-protected - 0.15 J - Grey -

Good lighting is essential in industrial workspaces and large indoor areas. The wrong choice of lights or a lighting not correctly planned can lead to eye strain, fatigue, and poor performance, compromising safety and productivity. The Philips GreenUp Lowbay G2 luminaire is a simple LED solution which efficiently illuminates work areas, creating a brighter and better work, retail or sporting environment. With its crisp, white light and high colour rendering index coupled with energy efficiency, high visibility and enhances safety 24/7. Equipped with motion detection function, this easy-to-install and low-maintenance lighting solution is suitable for a variety of applications.

Product data

General Information		Dimensions (height x width x depth)	
Protection class IEC	-	43 x NaN x NaN mm (1.7 x NaN x NaN in)	
CE mark	-	Approval and Application	
Material	Polycarbonate	Ingress protection code	IP20 [Finger-protected]
Constant light output	No	Mech. impact protection code	IK01 [0.15 J]
Colour	Grey	Product Data	
Operating and Electrical		Full product code	911401517331
Input Voltage	- V	Order product name	BY288X PIR Sensor
Input frequency	- Hz	Order code	911401517331
Mechanical and Housing		SAP numerator – quantity per pack	1
Overall height	43 mm	Numerator – packs per outer box	1
Overall diameter	61 mm	SAP material	911401517331
Colour	Grey	SAP net weight (piece)	0.060 kg

Dimensional drawing



BY288X PIR Sensor

