



ArenaVision MVF404

MVF404 MHN-SEH2000W/956 B1 SI

ARENAVISION - MASTER MHN-SE High Output - 2000 W -
Beam category B1

The ArenaVision MVF404 floodlight – designed for outdoor sports stadiums – dramatically increases the theatrical and emotional impact of sports for TV audiences and spectators, while allowing the players to perform under optimal visual conditions. Thanks to the innovative Philips MHN-SE 2000 W high-output compact single-ended metal-halide lamp and high-tech single-piece precision optics, ArenaVision MVF404 offers much higher optical efficiency than ever before. In addition, this 2 kW floodlight boasts easy lamp fitting and replacement, full IP65 compliance, safety knife connector system and a breakthrough electronic hot-restrike solution – while continuing to deliver all the traditional benefits of Philips ArenaVision systems. The (optional) flicker-free version of ArenaVision MVF404 is designed to ensure that the flicker effect is fully eliminated in order to guarantee perfect images filmed with super-slow-motion cameras at sports events. The flicker-free version of ArenaVision MVF404 comes equipped with a special electronic igniter, which works in combination with Philips' electronic-ballast GearUnits (ECM330), to be ordered separately.

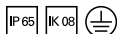
Product data

General Information		Operating and Electrical	
Number of light sources	1 [1 pc]	CE mark	CE mark
Lamp family code	MHN-SEH [MASTER MHN-SE High Output]	ENEC mark	ENEC mark
Lamp power	2000 W	Optic type outdoor	Beam category B1
Lamp colour code	956 daylight	Aiming memory	-
Kombipack	Lamp(s) included	Product family code	MVF404 [ARENAVISION]
Gear	-		
Optical cover/lens type	DOWN [Front-glass downlighting version]	Lamp supply voltage	400 V [400]
Protection class IEC	Safety class I (I)	Input Voltage	380 to 415 V

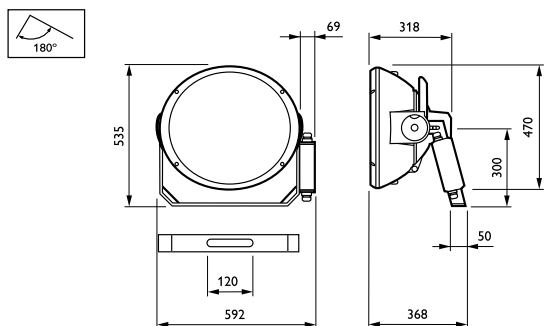
ArenaVision MVF404

Ignitor	SI [Series]
Mechanical and Housing	
Dimensions (height x width x depth)	NaN x NaN x NaN mm (NaN x NaN x NaN in)
Approval and Application	
Ingress protection code	IP65 [Dust penetration-protected, jet-proof]
Mech. impact protection code	IK08 [5 J vandal-protected]
Initial Performance (IEC Compliant)	
Lamp colour temperature	5600 K

Product Data	
Full product code	872790050200800
Order product name	MVF404 MHN-SEH2000W/956 B1 SI
EAN/UPC – product	8727900502008
Order code	910502218118
SAP numerator – quantity per pack	1
Numerator – packs per outer box	1
SAP material	910502218118
SAP net weight (piece)	14.500 kg



Dimensional drawing



ArenaVision MVF403/MVF404

